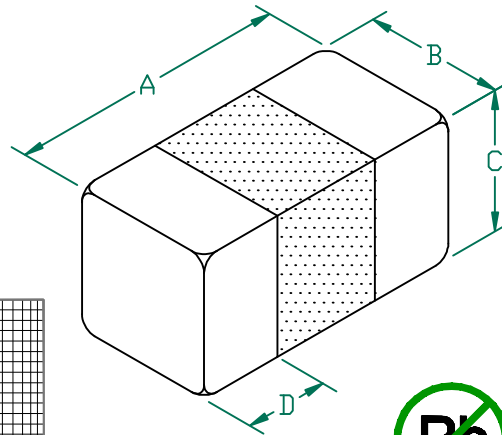


HZ0402A152R-10

UNCONTROLLED DOCUMENT

PHYSICAL DIMENSIONS:

A	1.00 [.040]	\pm	0.15 [.006]
B	0.50 [.020]	\pm	0.15 [.006]
C	0.50 [.020]	\pm	0.15 [.006]
D	0.30 [.012]		MAX.



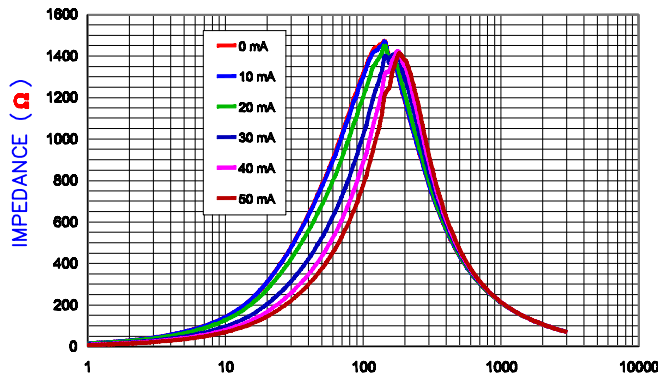
ELECTRICAL CHARACTERISTICS:

Z @ 100MHz (Ω)	DCR (Ω)	Rated Current
Nominal	1500	
Minimum	1125	
Maximum	1875	2.00
		50 mA

NOTES: UNLESS OTHERWISE SPECIFIED

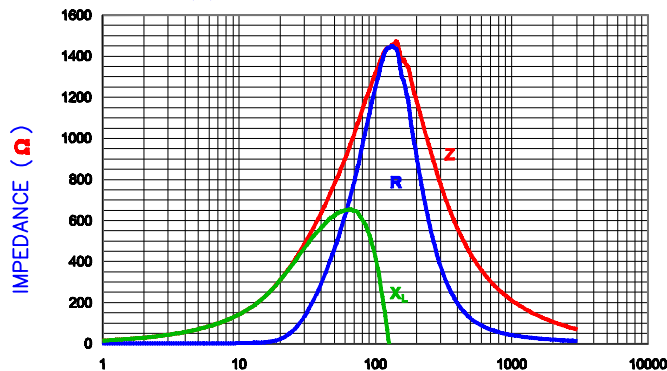
1. TAPED AND REELED per CURRENT EIA SPECIFICATIONS 7" REELS, 10,000 PCS/REEL, PAPER TAPE.
2. TERMINATION FINISH IS 100% TIN.
3. COMPONENTS SHOULD BE ADEQUATELY PREHEATED BEFORE SOLDERING.

Z vs FREQUENCY
IMPEDANCE UNDER DC BIAS



FREQUENCY (MHz)

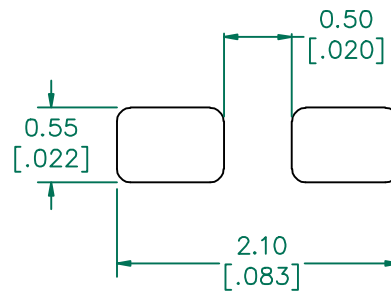
|Z|, R, AND X vs. FREQUENCY



FREQUENCY (MHz)

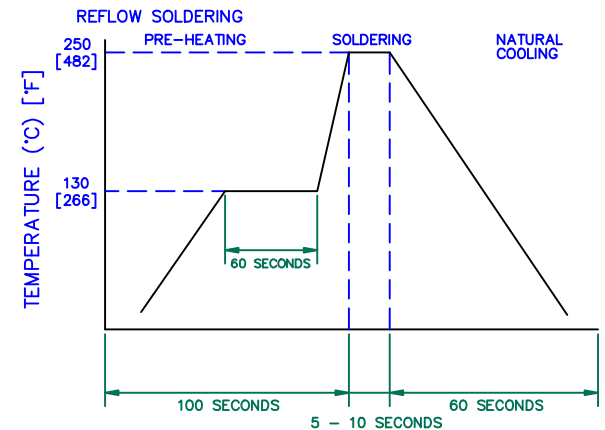


LAND PATTERNS FOR REFLOW SOLDERING



(For wave soldering, add 0.763 [.030] to this dimension.)

RECOMMENDED SOLDERING CONDITIONS



DIMENSIONS ARE IN mm [INCHES].				This print is the property of Laird Tech. and is loaned in confidence subject to return upon request and with the understanding that no copies shall be made without the written consent of Laird Tech. All rights to design or invention are reserved.				
				PROJECT/PART NUMBER: HZ0402A152R-10		REV	PART TYPE:	DRAWN BY:
						B	CO-FIRE	JRK
B	UPDATE COMPANY LOGO	02/15/08	JRK	DATE:	07/24/07	SCALE:	NTS	SHEET:
A	ORIGINAL DRAFT	07/24/07	JRK	CAD #	HZ0402A152R-10-B	TOOL #	-	2 of 2
REV	DESCRIPTION	DATE	INT					

